



FRX PUMP-ACTION SHOTGUN INSTRUCTION MANUAL

READ THE INSTRUCTIONS AND WARNINGS
IN THIS MANUAL CAREFULLY
BEFORE USING THIS FIREARM

Contents

OWNER'S MANUAL	1
IMPORTANT "SAFETY WARNINGS"	1
Congratulations!	2
FIREARMS SAFETY	3
Disclaimer	7
Serial Number of the Firearm	7
INTRODUCTION TO FEDARM SPORTING ARMS	8
About Your FRX Pump-Action Shotgun	8
Safety Switch or Button	8
Assembly	9
Disassembly	9
Loading Your Shotgun One Shell Only	9
Fully Loading Your Shotgun	10
Installation of Magazine Plug	10
Installation:	10
Usage of Choke Tubes	11
Maintenance and Cleaning	11
FRX Pump-Action Shotgun Part Assembly	12
FRX Pump-Action Shotgun Parts List	13
Parts	14
For Service:	14
Thank You	14
SERVICE AGREEMENT AND LIMITED WARRANTY	15
Shipping	15

OWNER'S MANUAL

FRX PUMP-ACTION SHOTGUN INSTRUCTION MANUAL

IMPORTANT “SAFETY WARNINGS”

Be certain this owner's manual is available for reference and is kept with this firearm if transferred to another party. If the manual is lost or misplaced, contact your “Product Service Center” for a free replacement copy, or download a copy from www.fedarm.com

After performing any work on your firearm such as cleaning, adjustments, disassembly, or installation of any accessory, the firearm should be re-checked for proper functioning before firing live ammunition.

Firearms are complicated mechanisms. Any modification, alteration, or improper fitting of parts may result in a dangerous malfunction, damage to the firearm and injury to the shooter and others. The firearm's owner must accept full responsibility for the correct reassembly and functioning of the firearm after any disassembly or replacement of parts.

If you do not understand any of the material in this manual or have any questions, contact your dealer or a qualified gunsmith.

Do not attempt to load or use any firearm until you have read and understood the information contained in its owner's manual. Before handling your firearm, you should learn how it operates and how to maintain it. This includes knowing its basic parts, how the manual safety and other safety features operate, how to safely open and close the action, and how to safely load and unload ammunition from the firearm. Improper use and handling is dangerous and could cause serious injury or death to you or those around you. All users of the firearm must become thoroughly familiar with the instructions in this manual.

As the owner of a firearm, you must undertake the full-time responsibility of safe firearms handling for your own safety and the safety of those around you:

- Keep all firearms and ammunition out of the reach of children.
- Store your firearms and ammunition separately.
- Never store a loaded firearm.
- Never leave a loaded firearm unattended.
- Never transport a loaded firearm in a vehicle.
- Unload your firearm when you have stopped shooting and when you have to climb a tree, fence, cross a slippery surface or have to transport it in a vehicle.
- Do not load your firearm before you are in a place where it is safe to shoot, and keep your finger off the trigger until you are on target and have decided to fire.
- Never shoot at water, rocks or any hard surfaces. Shots may glance off such surfaces and cause injuries.

- Do not use alcohol or drugs before or while handling firearms.
- Do not touch the trigger while the safety button is being engaged or disengaged.

Always point the muzzle of your firearm in a safe direction, regardless of whether the firearm is loaded or unloaded. Always treat every firearm as if it were loaded. Give your firearm to someone with the action open (bolt fully rearward) and safety in the “ON” (SAFE) position, after you verify the firearm is unloaded. Insist on the same procedure when receiving a firearm from someone else. Learn the location of all the safety features of your firearm and how they operate. Wear eye and ear protection when shooting. Shooting without proper ear protection can cause hearing damage. The use of eye protection during any type of shooting is important to protect your eyesight. Due to the heavy recoil of a shotgun, maintain an adequate distance between the rear of the scope (if equipped) and your face at all times. Be certain the scope installation does not interfere with access to, or the proper functioning of the safety.

WE SPECIFICALLY DISCLAIM ANY RESPONSIBILITY FOR DAMAGE OR INJURY WHATSOEVER OCCURRING IN CONNECTION WITH, OR AS A RESULT OF, THE USE OF FAULTY, OR “REMANUFACTURED,” OR HAND-LOADED (RELOADED) AMMUNITION. ADDITIONALLY, WE DISCLAIM ANY RESPONSIBILITY FOR DAMAGE OR INJURY WHICH RESULTS FROM ANY MODIFICATIONS OR CHANGES THAT ARE NOT A PART OF THE FIREARM AS DELIVERED FROM THE FACTORY.

Learn to clean your firearm thoroughly and make certain no oil, grease, or other materials are blocking the barrel. Obstructions of any kind can cause damage to the firearm, and may result in serious personal injury to the shooter and/or others nearby. Practice proper firearm maintenance and safety. Make sure all exposed metal surfaces are coated with a thin film of oil, especially after exposure to damp weather. (See proper section of this manual for cleaning instructions). Do not plug barrel or store in a fabric-lined case which will absorb lubricants from the firearm. Before using after storage, follow complete instructions stated in this manual for refamiliarization with the firearm. A thorough inspection should be performed before going into the field. Have your firearm periodically checked by a qualified gunsmith.

Congratulations!

You are now the owner of the FRX pump-action shotgun. Your shotgun has an innovative design and is manufactured from high quality materials. With regularly performed maintenance and the use of proper ammunition it will provide you with many years of service.

In order to achieve the best performance and reliability from your shotgun, please read and fully understand all of the instructions, safety guidelines, and warnings carefully in this manual. Your quality shotgun is enormously reliable and safe unless it is handled in a careless or irresponsible manner.

REMEMBER: It is imperative that the firearm handler be fully educated and conscious of the importance of executing proper gun safety rules when operating any firearm.

Before using or firing with any live ammunition you should know and fully understand your shotgun’s parts, function, and operating mechanisms. So carefully read and fully understand all of the information about the parts and procedures of using the shotgun safely and effectively.

FIREARMS SAFETY

At FedArm, we believe that safe firearms handling is the most important consideration of anyone who uses firearms and ammunition. Please take a few minutes to thoroughly read and understand this instruction manual.

ALL GUNS ARE NOT ALIKE. Many makes and models of firearms may **LOOK** very similar. However, they differ widely in design and operation, and in the location and function of various controls.

You should completely understand this manual before you practice loading, unloading and firing with live ammunition.

Remember, firearms safety does depend on you!

WARNING: It is important for you to receive proper training from a competent firearms instructor or authority before beginning to shoot or when handling the firearm.

Failure to adhere to the rules of firearm safety can result in serious injury, death, or destruction of property

- 1) **Completely read and understand your owner's manual guidelines before using your firearm.** You should fully understand the function of all of the components and mechanics of the firearm. Before you remove the firearm out of the box thoroughly read the owner's manual on how to properly carry, handle, load, unload, and store your new firearm. Know the rules of proper gun safety and exercise them at all times because failure to do so may result in death or injury to yourself or others. Because it is impossible to list every firearm situation or scenario, be aware that certain circumstances may require additional safety rules unique to a particular situation. In these cases, we recommend that you use sound gun safety rules, judgment, and discretion.
- 2) **Always learn the specific mechanical and handling characteristics of your shotgun.** All firearms are different thus it is important for you to understand how to properly carry, use, and handle each one according to its specific guidelines. Before using any firearm, one must completely familiarize themselves with the type of firearm and its specific safe handling procedures for loading, unloading, carrying, shooting, maintenance, and storing.

NEVER

- Give the shotgun to any person who has not thoroughly familiarized himself or herself with all of the information, safety rules, and warnings in the owner's manual.
- 3) **Always keep the firearm unloaded until ready to use.** Firearms should be kept unloaded when not in use. Whenever you pick up a firearm, immediately engage the safety device and remove the magazine to visually inspect the chamber and confirm that it is clear. Always unload all ammunition from the chamber and remove the magazine after:
 1. shooting
 2. before putting the firearm away,
 3. putting it into a holster,
 4. when not in use, and
 5. when handing it over to another person.

NEVER

- Leave a loaded gun unattended, propped up against a surface, or out of your hands.
 - Assume a firearm is unloaded, even if you used it last. Always check to make sure that there is no ammunition and the chamber is clear.
 - Load a cartridge into the chamber until you are ready to fire.
 - Carry or transport your firearm with live ammunition in the chamber.
 - Pass a firearm to another person or accept a firearm from another person, until the cylinder or action is open and you have personally checked that the weapon is completely unloaded.
 - Haul a loaded firearm openly or in a carrying case.
 - Transfer or hand a loaded firearm to someone else.
- 4) **Always keep your finger off the trigger until you are ready to shoot.** When holding the firearm be sure to rest your finger on the trigger guard and along the side of the gun.

NEVER

- Touch the trigger until you are ready to fire.
 - Engage in horseplay while handling a firearm.
 - Rely on the safety devices of the gun. Mechanical safeties are never foolproof and can wear out and malfunction over time. Remember to always handle all firearms using proper gun safety guidelines.
- 5) **Always keep the gun pointed in a safe direction.** A safe direction is one in which an accidental discharge cannot or would not cause injury or harm to yourself or others. Use extreme caution especially when loading and unloading your firearm. When handling any firearm always treat it as if it was loaded and ready to fire, even if you think it is empty. The recommended carrying position of your shotgun is with the hammer in de-cocked position.

NEVER

- Point your firearm at anything you don't intend to shoot.
 - Use a firearm under the influence of alcohol, drugs, or any other substances that may impair your judgment, skills, or physical abilities.
 - Target shoot or hunt with a firearm when you are fatigued or too tired to operate the firearm safely.
 - Use your firearm if you have an illness or disability that could compromise your judgment and the safety of yourself or others.
- 6) **Always use the correct ammunition.** All firearms are manufactured to use a certain caliber or gauge of ammunition. Only use ammunition that the manufacturer has recommended. Always verify before loading that you have the correct ammunition that matches the manufacturer's recommendations. Using improperly reloaded or incorrect ammunition can cause death and injury. This can also damage or destroy your firearm which will void any warranty.

NEVER

- Shoot the gun unless you know you have the proper ammunition.
- Use hand loaded, non-standard or reloaded ammunition.

- Fire ammunition that exceeds industry standard pressure specifications.
 - Use old, soiled, or damaged ammunition.
 - Use ammunition which does not feed reliably in your particular firearm as it may malfunction at a critical juncture.
- 7) **Always store your firearm in a secured storage area to prevent unauthorized access or use from other individuals.** There are many types of firearm storage devices as well as locking devices that attach directly to the firearm itself. Each individual must consider their particular circumstances so that the firearm is stored and maintained for optimal safety and security. Metal gun safes are recommended over open racks or glass front cabinets. Mechanical safeties built into the firearm can fail and should not be used as a substitute for safe gun handling and adherence to all firearm safety rules. Additionally, always store your ammunition locked up and secured separately from any firearms.

NEVER

- Store or hide a loaded firearm
 - Leave your firearms where unauthorized access from other individuals can occur.
 - Allow access to individuals who do not understand or follow the rules of proper gun safety
 - Leave an unsecured firearm in a bed, drawer, closet, or any other vehicle that could allow access to children or other unauthorized individuals
 - Allow children under the age of 18 access to any firearms without close supervision and proper firearm safety training.
- 8) **Always comply with all local, state, and federal laws that govern the ownership, storage, carrying, and use of firearms.**

NEVER

- Vandalize any public or private property by using it as a target.
 - Poach a game animal out of season
 - Kill any animal you don't intend to eat.
- 9) **Always know your target and what is beyond.** Before you pull the trigger be sure of your target and what is behind it. Shoot only in areas that have approved backdrops such as a shooting range, or backstops such as a hillside or berm. Also, know how far your shot will travel in case you miss the target or the bullet ricochets.

NEVER

- Fire in the direction in which there are people.
 - Fire at a sound, movement, or a flash of color.
 - Shoot directly upwards or at a high angle of elevation. Firing at or into the air can have enough energy to travel long distances and accidentally injure or kill someone.
 - Shoot across a highway or other roadway.
- 10) **Always wear eye/ear/body protection.** Gases and debris can cause injury so it is very important that one wears protective gear to preserve their hearing and eyesight. Also, while in the field wear at least 1000 square inches or more of blaze orange so that you can be visible by others.

NEVER

- Discharge a firearm in a poorly ventilated area.

WARNING: Possible lead exposure can occur when discharging firearms in a poorly ventilated area, cleaning the firearm, or handling ammunition. Lead and its components is a substance known to cause birth defects, reproductive destruction/impairment, cancer, or other serious health conditions and injury. Always have adequate ventilation at all times and wash your hands and other contact areas thoroughly after each exposure.

- 11) **Always handle with extreme care if your gun fails to fire when the trigger is pulled.** If the ammunition doesn't fire when you pull the trigger, **STOP!** and remember to always keep the firearm pointed in a safe direction. Keep your face away from the breech, then put the safety on, carefully open the action, unload the firearm and dispose of the cartridge safely. Always keep in mind that anytime there is a shell in the chamber, your firearm is **LOADED** and ready to fire. Even if you tried to shoot and the firearm did not fire, always treat it as if it could still discharge.
- 12) **Always treat the firearm as if it was loaded, even if the safety is positioned correctly and keep your fingers away from the trigger when loading and unloading.** A gun is a mechanical device and is not foolproof and is subject to wear and tear over time. Always keep your fingers away from the trigger when you are loading and unloading. If the manual safety proves to be ineffective for any reason, danger of an unintentional discharge exists. The weapon is then to be immediately unloaded and restricted from further use. Contact FedArm so that the gun can be inspected and repaired by an authorized gunsmith.

REMEMBER: Any firearm safety mechanisms can fail, even if the safety is engaged. You should always assume that a firearm is loaded when handling it.

NEVER

- Risk an accidental discharge by walking with a loaded firearm when going through or climbing obstacles such as a fence or other obstructive barriers.
 - Rely on your gun's safety mechanisms.
 - Sleep with a loaded firearm in your possession.
- 13) **Always keep your shotgun in the same mechanical and structural configuration as it was when it was manufactured.** This shotgun was produced under specific manufacturer guidelines and should not be altered or changed under **ANY** circumstances. Performing conversions by altering the trigger, mechanical components, safety mechanisms, or using any other products other those provided in the original box is **NOT RECOMMENDED** by the manufacturer, and could result death, bodily harm, or compromising your safety or the safety of others. Any alteration made to the firearm also voids the factory warranty. Like any mechanical device it is subject to normal wear and tear from use. In order to maintain optimal safety and performance it should be periodically serviced. You must regularly clean and lubricate your firearm to maintain its functionality, accuracy, safety, and reliability. Always before cleaning or lubricating any firearm make sure that you perform a safety check to make sure that the firearm is completely unloaded prior to performing any routine maintenance. If for some reason your firearm does require repairing, you must contact the U. S. importer for an approved service provider. Using unauthorized personnel to repair your firearm will void your manufacturer's warranty.

NEVER

- Alter, convert, or change your firearm from its original manufacturer's configuration.

14) **Always make sure the barrel is clear of any obstructions before shooting.** Before loading always perform a safety check to make sure that there is no ammunition in the chamber or magazine. Examine the barrel for any obstructions or debris such as excess lubricant, dirt, or grease. If the bore is obstructed, it can cause increased pressure causing the barrel to bulge or burst during use. Always use a cleaning rod and patch to remove any residues or obstructions in the barrel. Be familiar with your firearm. If the noise or recoil seems muffled or weak then **STOP!** And proceed to unload your firearm and check to make sure nothing is lodged in the barrel.

NEVER

- Try to shoot out an obstruction by loading another shell and firing.

Disclaimer

The firearm in which these safety rules apply is sold under the expressed conditions that the manufacturer accepts no liability in part or whole for bodily injury, death, or property damage from:

- Improperly or carelessly handling the firearm.
- Using defective, improper caliber, hand-loaded, or reloaded ammunition.
- Inadequate maintenance of the shotgun resulting in corrosion or damage.
- Negligence of malfunctions.
- Resale in contradiction of any applicable laws or regulations.
- Altering or converting the firearm's original aesthetic, functioning mechanisms, accessories, or mechanical configuration.
- Discharging with criminal intent or negligence.
- Failure to understand, adhere to, and follow the rules of firearm safety when using or handling the firearm.
- Any other circumstances outside the manufacturer's direct or immediate control.

Serial Number of the Firearm

The serial number is located on various parts of the shotgun. Each serial number is specific to that shotgun and is used for identification and registration. It is recommended that you record your serial number in your manual and keep the information in a secured location.

INTRODUCTION TO FEDARM SPORTING ARMS

We at FedArm thank you for the privilege of delivering a quality product to you that will provide you with years of pleasurable use. Happy shotgunning.

About Your FRX Pump-Action Shotgun

Your FedArm shotgun is manually operated. Once a shell has been fired, the locking lug in the bolt moves down, unlocking the gun. The forearm can then be moved to the rear and forward again, ejecting and loading a new shell.

To open the bolt without firing the gun, depress the action bar lock, located just beside and forward of the trigger. This allows for opening the action without dry firing.

Safety Switch or Button

The safety is designed to stop the trigger mechanism.

DON'T RELY ON YOUR GUN'S SAFETY; TREAT EVERY GUN AS IF IT WERE LOADED AND READY TO FIRE.

The safety on any gun is a mechanical device, and it is not intended as a substitute for common sense or safe gun handling. Always keep the muzzle pointed in a safe direction.

- A. The safety is located behind the trigger, and provides protection against accidental or unintentional discharge under normal usage when properly used.
- B. To engage the safety, push the button so that it protrudes from the right side of the gun and the RED BAND MARKING CAN NOT BE SEEN. The safety should always be in the "on" or "safe" position until you intend to fire the gun (Figure 1).
- C. When you are ready to fire the gun, press the safety button to the "off" position so that the safety protrudes from the left side of the gun and the RED BAND MARKING IS SHOWING.

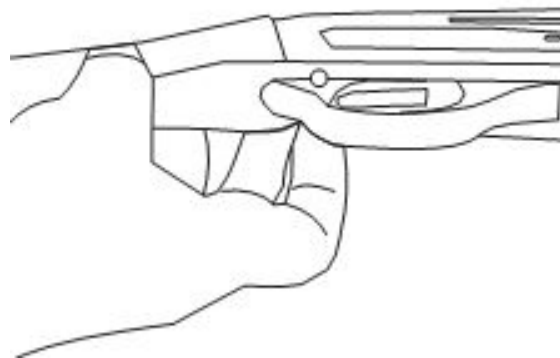


Figure 1. Shotgun safety button

DANGER: The gun will fire when the trigger is pulled intentionally or accidentally when the RED BAND MARKING IS SHOWING.

Assembly

1. Remove the magazine cap.
2. Press upward on the action bar lock. Pull the forearm approximately halfway rearward.
3. Hold the barrel ahead of the barrel guide ring (See figure 2).
4. Slide the barrel guide ring over the magazine tube. Clean the barrel following the instructions on page 7.
5. Press upward on the action bar lock.
6. Align the ejector on the inside of the barrel with the slot in the bolt.
7. Carefully set the barrel into the receiver. **DO NOT FORCE IT!**
8. Replace the magazine cap. Tighten.

Disassembly

1. Make sure the gun is unloaded!
2. Point firearm in a safe direction
3. Point firearm in a safe position.
4. Push up on the action bar lock.
5. Slide forearm forward halfway.
6. Unscrew and remove the magazine cap.
7. Pull the barrel carefully out of the receiver.
8. Push the carrier forward.
9. Depress and hold the action bar lock.
10. Slide the forearm forward and off the magazine tube.

Loading Your Shotgun One Shell Only

1. Put safety in the "on" position.
2. Point the gun in a safe direction.
3. Push up on the action bar lock.
4. Pull the forearm completely to the rear.
5. Put one shell through the ejection port, making sure it is the correct gauge and length. (See figure 3)
6. Push the forearm forward and close the action.

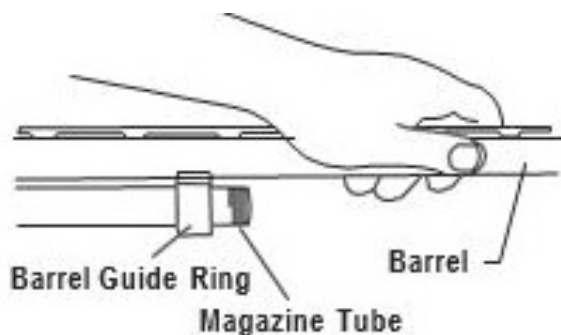


Figure 2. Shotgun assembly

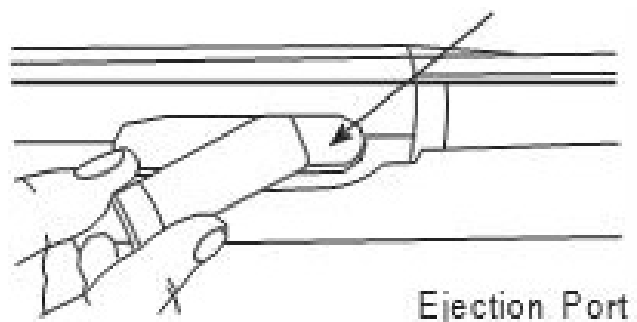


Figure 3. Loading single shell

Fully Loading Your Shotgun

1. Put safety in the "on" position.
2. Point the gun in a safe direction.
3. Push up on the action bar lock.
4. Pull the forearm completely to the rear.
5. Put one shell through the ejection port,
6. making sure it is the correct gauge and length. (See figure 3)
7. Push the forearm forward and close the action.
8. Push a shell upward against the bottom of the carrier. (See figure 4)
9. Push two (2) to four (4) shell, one at a time, fully forward into the magazine tube



Figure 4. Fully loading the shotgun

Installation of Magazine Plug







Your shotgun comes with a magazine plug installed for this purpose.

Installation:

1. Remove the forend screw cap.
2. At the threaded end of the magazine tube (where the forend screw cap fits) you will locate a black snap ring.
3. A Phillips head screw driver should be used to remove the snap ring.
CAUTION: The snap ring will be under pressure from the magazine spring. Do not remove the snap ring in a manner where the ring could fly out and strike you or anyone else causing injury, particularly to the eye.
4. Insert plug through the middle of the magazine spring, compress plug and spring, and insert the snap ring so the snap ring end is flush with the end of the tube.
5. Screw forend cap back in place.

Usage of Choke Tubes

The choke controls how open or tight the pattern of the shot will be. The chart below lists the chokes available (from open to tight), and the cores pending marks that indicate the specific choke.

	Skeet	IC	M	IM	F	XF
Choke Tube						
BBSL	CL	****	***	**	*	XF

Never fire your gun or run cleaning tools through a barrel that uses a choke tube without having a choke installed. The threads of the choke tube and the internal threads of the barrel should be cleaned after each use and before installation of the tube. Your FedArm shotgun uses choke tubes.

To install a tube, insert the tube into the top of the barrel and tighten with your fingers. Once the tube is finger tightened, tighten the rest of the way with the appropriate choke tube wrench until the tube is snug. DO NOT over tighten or forcefully tighten with the wrench.

Maintenance and Cleaning

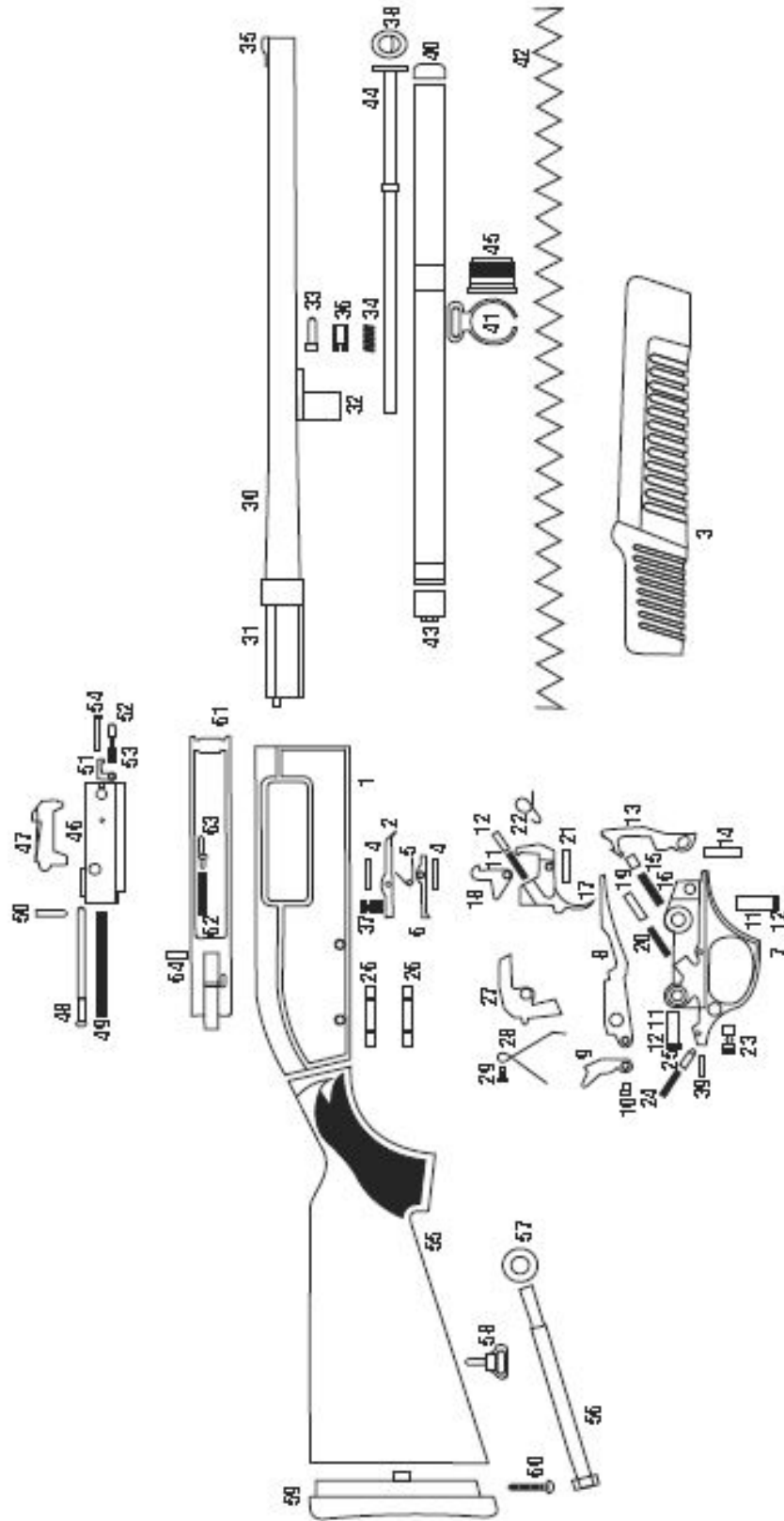
CAUTION: Make sure the gun is UNLOADED.

1. Make sure the broad, polished finely fitted mating surface of the breech block and receiver is especially clean and lightly oiled with high quality gun oil. Do not use silicone or lanolin (Do not use WD-40).
2. Run an oil patch through the bore with a cleaning rod starting from the breech end. To prevent leading, use a cleaning solvent and brass brush to clean the bore periodically. Follow this cleaning with one or two clean oil patches. Important: If your gun is equipped with choke tubes, do not use a brass brush to clean the barrels without having a choke tube installed. Barrels that utilize choke tubes must also have the choke tubes removed to clean and oil the threads inside the barrel and the choke tubes themselves. This will protect the threads and prevent dirt build up that can cause tubes to become difficult to remove.

Never fire your gun without choke tubes snugly tightened in barrels. Do not over tighten choke tubes. Wipe all exposed metal surface with an oiled cloth before storing. Do not squirt or pour oil into the inside mechanism because it may hamper proper functioning. After extended periods of heavy use, your gun should be taken to a qualified gunsmith to have the action disassembled for professional cleaning and lubrication.

3. Care for your wood stock and forearm the same way you would a piece of furniture with the same finish.

FRX Pump-Action Shotgun Part Assembly



FRX Pump-Action Shotgun Parts List

Part no	Description	Part no	Description
1	Receiver	33	Pump ring pin
2	Carrier latch	34	Pump ring spring
3	Fore-end	35	Bead
4	Carrier latch pin	36	Pump ring screw
5	Cartridge holder spring	37	Metal holder spring
6	Cartridge holder	38	Plug cap
7	Trigger group	39	Safety pin
8	Cartridge carrier	40	Magazine upper cap
9	Cartridge lifter	41	Sling swivel
10	Cartridge lifter pin	42	Magazine spring
11	Internal safety spring	43	Cartridge ejector plug
12	Internal safety spring case	44	Plug
13	Hammer	45	Magazine bolt cap
14	Hammer pin	46	Bolt action
15	Hammer pin capsule	47	Locking block
16	Hammer spring	48	Firing pin
17	Trigger	49	Firing pin spring
18	Internal safety	50	Firing pin holder
19	Internal safety capsule	51	Extractor
20	Internal safety spring	52	Extractor pin
21	Trigger pin	53	Extractor spring
22	Trigger spring	54	Extractor spring pin
23	Safety	55	Grip
24	Safety spring	56	Heat shield
25	Safety capsule	57	Heat shield screw
26	Capsule pin	58	Sling swivel
27	Unloading latch	59	Grip key
28	Unloading latch spring	60	Grip screw
29	Unloading latch spring screw	61	Sliding bar
30	Barrel	62	Sliding bar spring
31	Barrel lug	63	Sliding bar pin
32	Pump ring	64	Sliding bar riveting pin

Parts

To order parts, please be ready with the following information: Your name, address, telephone number, firearm serial number, make and model and payment information. Call the Federal Armament Service Department at 1-888-652-6660.

For Service:

Ship the firearm prepaid to:

Federal Armament LLC
5701 South 73rd Place
Fort Smith, AR 72903

Thank You

Thank you for purchasing a FedArm shotgun. We are sure this gun will bring you years of hunting and/or shooting pleasure. Your satisfaction is the key to our success. Please let us know if we can be of service and relay any observations about your gun's performance or appearance. For your questions or comments, please visit www.fedarm.com.

SERVICE AGREEMENT AND LIMITED WARRANTY

FedArm agrees to service its products free of charge for defects in materials and workmanship in accordance with the service agreement listed below. The obligation of FedArm under this agreement is limited to the repair or replacement of unserviceable parts and does not cover any incidental or consequential damages. Other than the express warranty contained herein, FedArm makes no warranties, expressed or implied.

FedArm will repair or replace any unserviceable part(s) for one (1) year from the date of manufacture in accordance with the above warranty statement provided your firearm had not been altered, abused, willfully damaged, or damaged by overpressure ammunition. This agreement is not transferable.

To obtain service during the time this agreement is in effect, make sure your firearm is unloaded and send it to Federal Armament LLC with proof of purchase from a certified FedArm dealer.

This agreement and the warranties contained herein do not apply to OEM manufactured firearms, firearms sold without warranties, or some firearms sold by non-listed/certified FedArm dealers.

Please visit www.fedarm.com to fill out and submit a warranty.

Shipping

When returning your firearm for service, please take care in packing. Disassemble your gun, wrap in a safe manner and place it in its original box. (THIS BOX WILL PROTECT THE GUN BUT IS NOT DESIGNED FOR SHIPPING.) Wrap the original box in a cardboard box approved for interstate shipping. FedArm is not responsible for damages incurred during shipping.



Federal Armament LLC

5701 South 73rd Place

Fort Smith, AR 72903

Phone: 1-888-652-6660

www.fedarm.com